

NetCam SC

Vandal Resistant Dome



1, 3 or 5 Megapixel

Simultaneous
Analog Video Out

Day/Night IR

Multi-Megapixel Hybrid IP Camera Indoor/Outdoor Vandal Resistant Design

- Simultaneous IP Network Video & BNC Coaxial Video Output
- Outputs up to 5 Megapixel, 1080P, 720P and NTSC/PAL
- Up to 15 Times More Resolution than CCTV Cameras
- Internal Events trigger NVR / Email / FTP
- Power Over Ethernet, 12VDC or 24VAC
- Available in 1.3, 3 and 5 Megapixel
- Integrated Video Motion Detection
- Automatic Day/Night IR Filter

STARDOT[®]
Technologies 
1-888-STARDOT
www.StarDot.com

NetCam SC Vandal Resistant Dome

SPECIFICATIONS

Imaging

- All Models: RGB, CMOS, Frame Transfer, Up to 30 FPS
- **5 MP:** 2592x1944 / **3 MP:** 2048x1536 / **1.3 MP:** 1296x976
- Light Sensitivity: 0.3 Lux color, 0 Lux in IR mode (on IR models w/ IR illuminator)
- Day/Night mechanical IR filter mechanism, automatic or manual (on IR models)
- Video out BNC, allows viewing of video on standard CCTV monitor, MUX, DVR
- Auto/manual exposure, auto/manual color balance, sharpening, auto/manual haze, defective pixel replacement
- Contrast enhancement, gamma correction, DNR (digital noise reduction), adaptive image resolution (low light)
- Integrated video motion detection with Video-on-Motion bandwidth saver mode
- Lens Mount: Industry standard CS-Mount, (C-Mount compatible)

Operating System / CPU

- Built-in web server, telnet server, email client and FTP client
- Supported protocols: TCP/IP, HTTP, FTP, NTP, Telnet, Daytime, X/Y/Zmodem
- 32MB DRAM, 4MB Flash Memory, 32MB Imaging Buffer
- Security: Password-protected user accounts for viewing and configuring NetCam SC

Connectivity

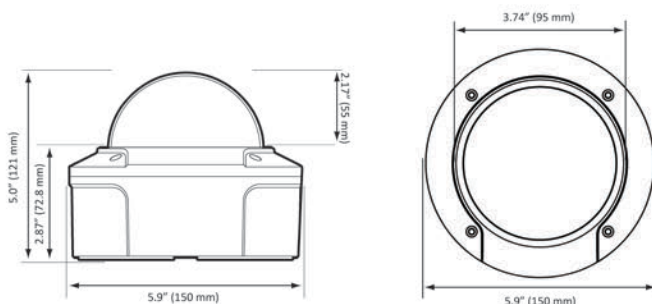
- 1 x 10/100-baseT Ethernet, RJ-45, PoE 802.3af (Power over Ethernet)
- 1 x BNC Video Output (NTSC/PAL)
- 1 x RS-232 Serial Port, up to 115.2Kb

Physical

- Dimensions: 5.9" Diameter (150mm) x 4.7" H (120mm)
- Weight: 44 Ounces (1247 grams)
- Operating Temperature Range: -40° - +120° F (-40° - +48° C)
- Power Requirements: 12VDC/ 24VAC/ POE
- EMI Approval: FCC, Class A, CE (EN55024)
- IP66 Weather Resistance Rating

Models

- SD500VN - 5MP Vandal Resistant Dome with Day/Night
- SD500V - 5MP Vandal Resistant Dome
- SD300V - 3MP Vandal Resistant Dome
- SD130VN - 1.3MP Vandal Resistant Dome with Day/Night
- SD130V - 1.3MP Vandal Resistant Dome



OPTIONAL WALL MOUNTS



Wall Mount (MNT-VWAL)



Pole Mount Adapter
(MNT-VWAL-POL)
For Use with Wall Mount



Corner Mount Adapter
(MNT-VWAL-COR)
For Use with Wall Mount



www.stardot.com
Buena Park, CA USA
888-StarDot
714-228-9282 • 714-228-9283 fax